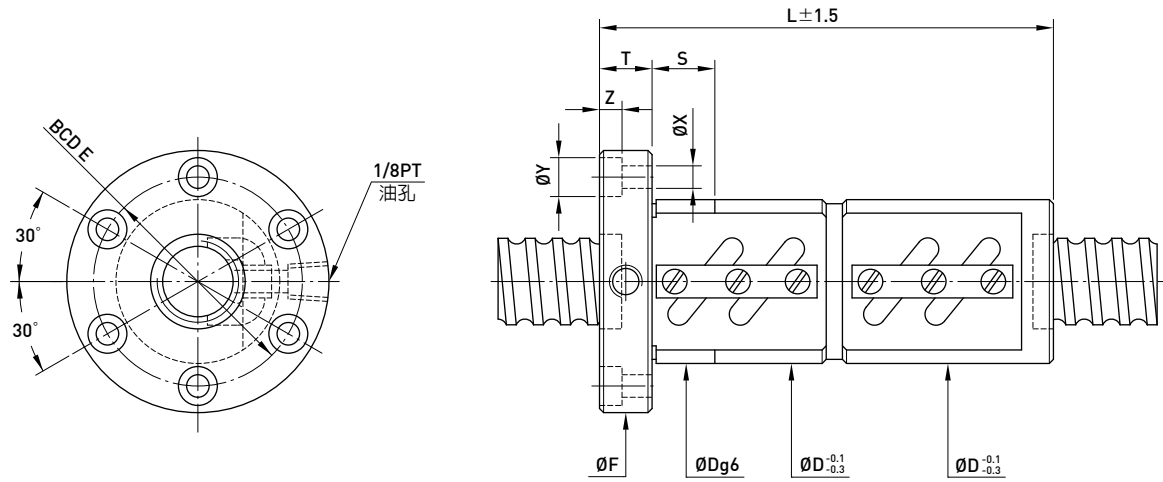


**F D W TYPE**

◀ 規格品

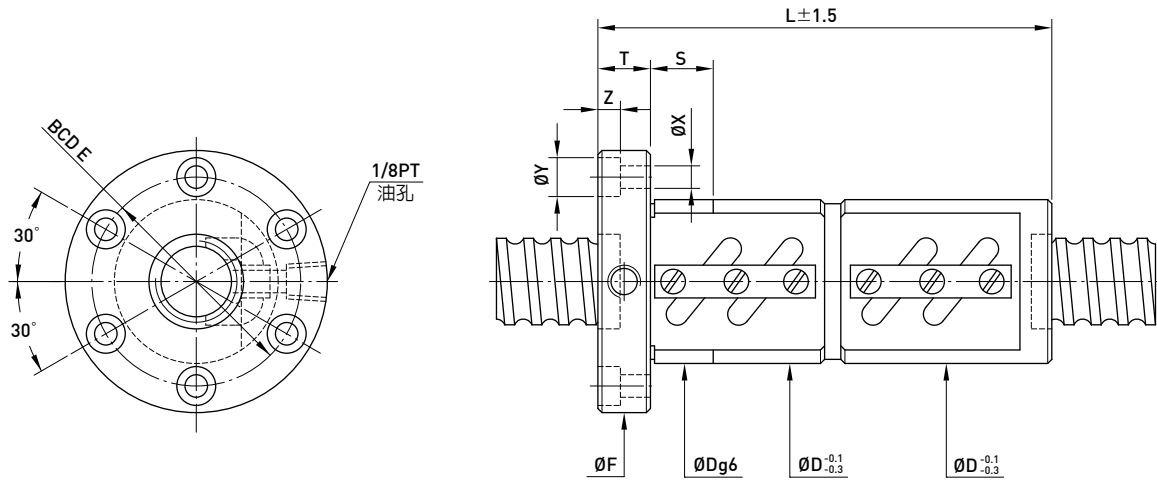


| 型號      | 規格       |        | 珠徑    | PCD   | 根徑     | 珠卷數   | 剛性<br>Kgf / $\mu\text{m}$<br>K | 動負荷<br>C [ kgf ] | 靜負荷<br>Co [ kgf ] | 螺帽 |     | 法蘭  |     |       | 法蘭孔 |     |     | 接觸<br>面長 |
|---------|----------|--------|-------|-------|--------|-------|--------------------------------|------------------|-------------------|----|-----|-----|-----|-------|-----|-----|-----|----------|
|         | 公稱<br>外徑 | 導程     |       |       |        |       |                                |                  |                   | D  | L   | F   | T   | BCD-E | X   | Y   | Z   |          |
| 16-5B2  | 16       | 5      | 3.175 | 16.6  | 13.324 | 2.5x2 | 65                             | 1385             | 2799              | 40 | 110 | 64  | 12  | 51    | 5.5 | 9.5 | 5.5 | 24       |
| 16-5B1  |          |        |       | 16.6  | 13.324 | 2.5x1 | 32                             | 763              | 1400              | 40 | 80  | 64  | 12  | 51    | 5.5 | 9.5 | 5.5 | 24       |
| 16-5C1  |          |        |       | 16.6  | 13.324 | 3.5x1 | 46                             | 1013             | 1946              | 40 | 90  | 64  | 12  | 51    | 5.5 | 9.5 | 5.5 | 24       |
| 20-5B1  | 20       | 6      | 3.969 | 20.6  | 17.324 | 2.5x1 | 38                             | 837              | 1733              | 44 | 80  | 68  | 12  | 55    | 5.5 | 9.5 | 5.5 | 24       |
| 20-5B2  |          |        |       | 20.6  | 17.324 | 2.5x2 | 76                             | 1519             | 3465              | 44 | 110 | 68  | 12  | 55    | 5.5 | 9.5 | 5.5 | 24       |
| 20-6B1  |          |        |       | 20.8  | 16.744 | 2.5x1 | 40                             | 1139             | 2187              | 48 | 92  | 72  | 12  | 59    | 5.5 | 9.5 | 5.5 | 24       |
| 20-6C1  | 20.8     | 16.744 | 3.5x1 | 55    | 1512   | 3041  | 48                             | 104              | 72                | 12 | 59  | 5.5 | 9.5 | 5.5   | 24  |     |     |          |
| 25-5A2  | 25       | 5      | 3.175 | 25.6  | 22.324 | 1.5x2 | 54                             | 1092             | 2622              | 50 | 102 | 73  | 12  | 61    | 5.5 | 9.5 | 5.5 | 24       |
| 25-5B1  |          |        |       | 25.6  | 22.324 | 2.5x1 | 46                             | 939              | 2209              | 50 | 80  | 74  | 12  | 62    | 5.5 | 9.5 | 5.5 | 24       |
| 25-5B2  |          |        |       | 25.6  | 22.324 | 2.5x2 | 90                             | 1704             | 4417              | 50 | 110 | 74  | 12  | 62    | 5.5 | 9.5 | 5.5 | 24       |
| 25-5C1  | 25.6     | 22.324 | 3.5x1 | 68    | 1252   | 3085  | 50                             | 90               | 74                | 12 | 62  | 5.5 | 9.5 | 5.5   | 24  |     |     |          |
| 25-6B2  | 25       | 6      | 3.969 | 25.8  | 21.744 | 2.5x2 | 94                             | 2304             | 5524              | 56 | 128 | 82  | 12  | 69    | 6.6 | 11  | 6.5 | 24       |
| 25-6C1  |          |        |       | 25.8  | 21.744 | 3.5x1 | 66                             | 1690             | 3844              | 56 | 104 | 82  | 12  | 69    | 6.6 | 11  | 6.5 | 24       |
| 25-10B1 |          |        |       | 25.8  | 21.744 | 2.5x1 | 48                             | 1592             | 3237              | 60 | 122 | 86  | 16  | 73    | 6.6 | 11  | 6.5 | 24       |
| 28-5B1  | 28       | 5      | 3.175 | 28.6  | 25.324 | 2.5x1 | 51                             | 984              | 2466              | 55 | 80  | 85  | 12  | 69    | 6.6 | 11  | 6.5 | 24       |
| 28-5B2  |          |        |       | 28.6  | 25.324 | 2.5x2 | 98                             | 1785             | 4932              | 55 | 110 | 85  | 12  | 69    | 6.6 | 11  | 6.5 | 24       |
| 28-6A2  |          |        |       | 28.6  | 25.324 | 1.5x2 | 59                             | 1150             | 2960              | 55 | 110 | 85  | 12  | 69    | 6.6 | 11  | 6.5 | 24       |
| 28-6B2  | 28.6     | 25.324 | 2.5x2 | 98    | 1776   | 4980  | 55                             | 123              | 85                | 12 | 69  | 6.6 | 11  | 6.5   | 24  |     |     |          |
| 32-4B2  | 32       | 4      | 2.381 | 32.25 | 29.792 | 2.5x2 | 91                             | 1071             | 3582              | 54 | 93  | 81  | 12  | 67    | 6.6 | 11  | 6.5 | 24       |
| 32-5B1  |          |        |       | 32.6  | 29.324 | 2.5x1 | 55                             | 1039             | 2833              | 58 | 80  | 84  | 12  | 71    | 6.6 | 11  | 6.5 | 24       |
| 32-5B2  |          |        |       | 32.6  | 29.324 | 2.5x2 | 109                            | 1886             | 5666              | 58 | 110 | 84  | 12  | 71    | 6.6 | 11  | 6.5 | 24       |
| 32-5C1  | 32.6     | 29.324 | 3.5x1 | 76    | 1388   | 3967  | 58                             | 90               | 84                | 12 | 71  | 6.6 | 11  | 6.5   | 24  |     |     |          |
| 32-6B1  | 32       | 6      | 3.969 | 32.8  | 28.744 | 2.5x1 | 57                             | 1409             | 3510              | 62 | 92  | 88  | 12  | 75    | 6.6 | 11  | 6.5 | 24       |
| 32-6B2  |          |        |       | 32.8  | 28.744 | 2.5x2 | 112                            | 2556             | 7020              | 62 | 128 | 88  | 12  | 75    | 6.6 | 11  | 6.5 | 24       |
| 32-6C1  |          |        |       | 32.8  | 28.744 | 3.5x1 | 78                             | 1888             | 4936              | 62 | 104 | 88  | 12  | 75    | 6.6 | 11  | 6.5 | 24       |
| 32-8A2  | 32       | 8      | 4.763 | 33    | 28.132 | 1.5x2 | 70                             | 2082             | 5151              | 66 | 135 | 100 | 15  | 82    | 9   | 14  | 8.5 | 30       |
| 32-8B1  |          |        |       | 33    | 28.132 | 2.5x1 | 58                             | 1810             | 4227              | 66 | 110 | 100 | 16  | 82    | 9   | 14  | 8.5 | 30       |
| 32-8B2  |          |        |       | 33    | 28.132 | 2.5x2 | 115                            | 3284             | 8453              | 66 | 158 | 100 | 16  | 82    | 9   | 14  | 8.5 | 30       |
| 32-8B3  | 33       | 28.132 | 2.5x3 | 168   | 4653   | 12678 | 74                             | 205              | 108               | 16 | 90  | 9   | 14  | 8.5   | 30  |     |     |          |
| 32-8C1  | 33       | 28.132 | 3.5x1 | 82    | 2428   | 5948  | 66                             | 126              | 100               | 16 | 82  | 9   | 14  | 8.5   | 30  |     |     |          |
| 32-10A2 | 32       | 10     | 6.350 | 33.4  | 26.91  | 1.5x2 | 72                             | 3051             | 6612              | 74 | 167 | 108 | 15  | 90    | 9   | 14  | 8.5 | 30       |
| 32-10B1 |          |        |       | 33.4  | 26.91  | 2.5x1 | 58                             | 2651             | 5600              | 74 | 122 | 108 | 16  | 90    | 9   | 14  | 8.5 | 30       |
| 32-10B2 |          |        |       | 33.4  | 26.91  | 2.5x2 | 118                            | 4810             | 11199             | 74 | 182 | 108 | 16  | 90    | 9   | 14  | 8.5 | 30       |
| 32-10C1 | 33.4     | 26.91  | 3.5x1 | 86    | 3519   | 7785  | 74                             | 142              | 108               | 16 | 90  | 9   | 14  | 8.5   | 30  |     |     |          |
| 32-12B1 | 32       | 12     | 6.350 | 33.4  | 26.91  | 2.5x1 | 62                             | 2602             | 5510              | 74 | 153 | 108 | 18  | 90    | 9   | 14  | 8.5 | 30       |
| 32-12B2 |          |        |       | 33.4  | 26.91  | 2.5x2 | 118                            | 4810             | 11199             | 74 | 232 | 108 | 16  | 90    | 9   | 14  | 8.5 | 30       |
| 32-12C1 |          |        |       | 33.4  | 26.91  | 3.5x1 | 84                             | 3518             | 7784              | 74 | 166 | 108 | 16  | 90    | 9   | 14  | 8.5 | 30       |

註：表列剛性值，在預壓力為10%動負荷之條件下計算。

**F D W TYPE**

◀ 規格品

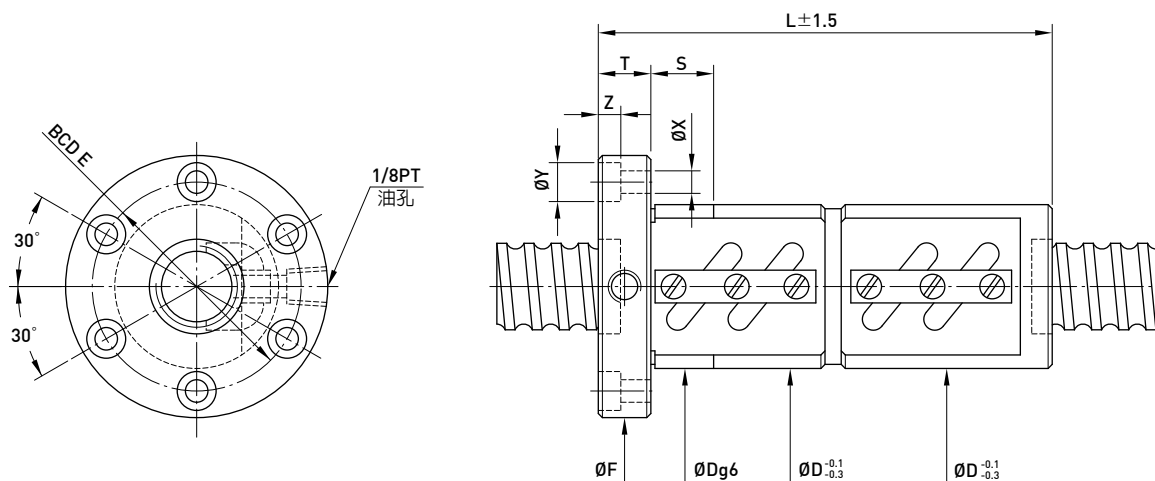


| 型號      | 規格       |       | 珠徑    | PCD    | 根徑     | 珠卷數   | 剛性<br>Kgf/μm<br>K | 動負荷<br>C [kgf] | 靜負荷<br>Co [kgf] | 螺帽   |      | 法蘭  |     |       | 法蘭孔  |      |     | 接觸<br>面長 |
|---------|----------|-------|-------|--------|--------|-------|-------------------|----------------|-----------------|------|------|-----|-----|-------|------|------|-----|----------|
|         | 公稱<br>外徑 | 導程    |       |        |        |       |                   |                |                 | D    | L    | F   | T   | BCD-E | X    | Y    | Z   |          |
| 36-6B1  | 36       | 6     | 3.969 | 36.8   | 32.744 | 2.5x1 | 62                | 1486           | 3969            | 65   | 92   | 100 | 12  | 82    | 6.6  | 11   | 6.5 | 24       |
| 36-6B2  |          |       |       | 36.8   | 32.744 | 2.5x2 | 121               | 2696           | 7937            | 65   | 128  | 100 | 12  | 82    | 6.6  | 11   | 6.5 | 24       |
| 36-12A2 |          | 12    | 4.763 | 37     | 32.132 | 1.5x2 | 80                | 2557           | 6693            | 70   | 155  | 108 | 15  | 90    | 9    | 14   | 8.5 | 30       |
| 36-12B1 |          |       |       | 37.4   | 30.91  | 2.5x1 | 67                | 2812           | 6334            | 75   | 126  | 120 | 16  | 98    | 11   | 17.5 | 11  | 30       |
| 36-10B2 |          | 10    | 6.350 | 37.4   | 30.91  | 2.5x2 | 132               | 5105           | 12669           | 75   | 184  | 120 | 18  | 98    | 11   | 17.5 | 11  | 30       |
| 36-12B2 |          |       |       | 37.4   | 30.91  | 2.5x2 | 130               | 5105           | 12668           | 75   | 206  | 120 | 18  | 98    | 11   | 17.5 | 11  | 30       |
| 36-8A2  |          | 8     | 4.763 | 37     | 32.132 | 1.5x2 | 77                | 2217           | 5669            | 70   | 135  | 108 | 15  | 90    | 9    | 14   | 8.5 | 30       |
| 36-8B2  |          |       |       | 37     | 32.132 | 2.5x2 | 126               | 3489           | 9606            | 70   | 158  | 108 | 15  | 90    | 9    | 14   | 8.5 | 30       |
| 40-5B1  | 40       | 5     | 3.175 | 40.6   | 37.324 | 2.5x1 | 65                | 1141           | 3567            | 68   | 84   | 102 | 16  | 84    | 9    | 14   | 8.5 | ~        |
| 40-5B2  |          |       |       | 40.6   | 37.324 | 2.5x2 | 132               | 2071           | 7134            | 68   | 114  | 102 | 16  | 84    | 9    | 14   | 8.5 | 30       |
| 40-6B2  |          | 6     | 3.969 | 40.8   | 36.744 | 2.5x2 | 136               | 2817           | 8855            | 70   | 132  | 104 | 16  | 86    | 9    | 14   | 8.5 | 30       |
| 40-8B1  |          |       |       | 41     | 36.132 | 2.5x1 | 69                | 2003           | 5302            | 74   | 110  | 108 | 16  | 90    | 9    | 14   | 8.5 | 30       |
| 40-8B2  |          | 8     | 4.763 | 41     | 36.132 | 2.5x2 | 137               | 3634           | 10603           | 74   | 158  | 108 | 16  | 90    | 9    | 14   | 8.5 | 30       |
| 40-8B3  |          |       |       | 41     | 36.132 | 2.5x3 | 200               | 5150           | 15904           | 74   | 210  | 108 | 15  | 90    | 9    | 14   | 8.5 | 30       |
| 40-8C1  |          | 8     | 4.763 | 41     | 36.132 | 3.5x1 | 96                | 2679           | 7438            | 74   | 126  | 108 | 16  | 90    | 9    | 14   | 8.5 | 30       |
| 40-10A2 |          |       |       | 41.4   | 34.91  | 1.5x2 | 87                | 3418           | 8398            | 82   | 170  | 124 | 18  | 102   | 11   | 17.5 | 11  | 30       |
| 40-10B1 | 10       | 6.350 | 41.4  | 34.91  | 2.5x1  | 72    | 2959              | 7069           | 84              | 132  | 125  | 18  | 104 | 11    | 17.5 | 11   | 30  |          |
| 40-10B2 |          |       | 41.4  | 34.91  | 2.5x2  | 145   | 5370              | 14138          | 84              | 192  | 125  | 18  | 104 | 11    | 17.5 | 11   | 30  |          |
| 40-10C1 | 10       | 6.350 | 41.4  | 34.91  | 3.5x1  | 102   | 3932              | 9841           | 84              | 152  | 125  | 18  | 104 | 11    | 17.5 | 11   | 30  |          |
| 40-12A2 |          |       | 41.6  | 34.299 | 1.5x2  | 88    | 4006              | 9404           | 86              | 160  | 128  | 18  | 106 | 11    | 17.5 | 11   | 30  |          |
| 40-12B1 | 12       | 7.144 | 41.6  | 34.299 | 2.5x1  | 70    | 3425              | 7837           | 86              | 153  | 128  | 18  | 106 | 11    | 17.5 | 11   | 40  |          |
| 40-12B2 |          |       | 41.6  | 34.299 | 2.5x2  | 141   | 6217              | 15674          | 86              | 225  | 128  | 18  | 106 | 11    | 17.5 | 11   | 40  |          |
| 40-12C1 | 12       | 7.144 | 41.6  | 34.299 | 3.5x1  | 103   | 4637              | 11146          | 86              | 179  | 128  | 18  | 106 | 11    | 17.5 | 11   | 30  |          |
| 40-16A2 |          |       | 41.6  | 34.299 | 1.5x2  | 83    | 4007              | 9405           | 86              | 214  | 128  | 18  | 106 | 11    | 17.5 | 11   | 40  |          |
| 40-16B1 | 16       | 7.144 | 41.6  | 34.299 | 2.5x1  | 72    | 3425              | 7837           | 86              | 182  | 128  | 18  | 106 | 11    | 17.5 | 11   | 40  |          |
| 40-16B2 |          |       | 41.6  | 34.299 | 2.5x2  | 143   | 6216              | 15674          | 86              | 272  | 128  | 22  | 106 | 11    | 17.5 | 11   | 30  |          |
| 45-10B1 | 45       | 10    | 6.350 | 46.4   | 39.91  | 2.5x1 | 76                | 3111           | 7953            | 88   | 134  | 132 | 18  | 110   | 11   | 17.5 | 11  | 30       |
| 45-10B2 |          |       |       | 46.4   | 39.91  | 2.5x2 | 156               | 5655           | 15905           | 88   | 194  | 132 | 18  | 110   | 11   | 17.5 | 11  | 30       |
| 45-12B2 |          | 12    | 7.938 | 46.8   | 38.688 | 2.5x2 | 162               | 7627           | 19799           | 96   | 230  | 142 | 22  | 117   | 13   | 20   | 13  | 40       |
| 45-16B2 |          |       |       | 46.6   | 39.299 | 2.5x2 | 158               | 6636           | 17895           | 90   | 278  | 132 | 18  | 110   | 11   | 17.5 | 11  | 30       |
| 50-5A2  | 50       | 5     | 3.175 | 50.6   | 47.324 | 1.5x2 | 96                | 1447           | 5382            | 80   | 107  | 114 | 16  | 96    | 9    | 14   | 8.5 | 30       |
| 50-5A3  |          |       |       | 50.6   | 47.324 | 1.5x3 | 143               | 2051           | 8072            | 80   | 127  | 114 | 16  | 96    | 9    | 14   | 8.5 | 30       |
| 50-6B2  |          | 6     | 3.969 | 50.8   | 46.744 | 2.5x2 | 161               | 3093           | 11149           | 84   | 134  | 118 | 16  | 100   | 9    | 14   | 8.5 | 30       |
| 50-6B3  |          |       |       | 50.8   | 46.744 | 2.5x3 | 235               | 4384           | 16723           | 84   | 170  | 118 | 16  | 100   | 9    | 14   | 8.5 | 30       |
| 50-8B1  |          | 8     | 4.763 | 51     | 46.132 | 2.5x1 | 81                | 2206           | 6705            | 87   | 112  | 128 | 18  | 107   | 11   | 17.5 | 11  | 30       |
| 50-8B2  |          |       |       | 51     | 46.132 | 2.5x2 | 165               | 4004           | 13409           | 87   | 160  | 128 | 18  | 107   | 11   | 17.5 | 11  | 30       |
| 50-8B3  |          | 8     | 4.763 | 51     | 46.132 | 2.5x3 | 244               | 5674           | 20114           | 87   | 208  | 128 | 18  | 107   | 11   | 17.5 | 11  | 30       |
| 50-10B1 |          |       |       | 10     | 6.350  | 51.4  | 44.91             | 2.5x1          | 88              | 3245 | 8918 | 93  | 133 | 135   | 18   | 113  | 11  | 17.5     |

註：表列剛性值，在預壓力為10%動負荷之條件下計算。

**F D W TYPE**

◀ 規格品



| 型號       | 規格       |       | 珠徑     | PCD    | 根徑     | 珠卷數   | 剛性<br>Kg $\mu$ m<br>K | 動負荷<br>C [ kgf ] | 靜負荷<br>Co [ kgf ] | 螺帽    |     | 法蘭  |     |       | 法蘭孔  |      |      | 接觸<br>面長 |
|----------|----------|-------|--------|--------|--------|-------|-----------------------|------------------|-------------------|-------|-----|-----|-----|-------|------|------|------|----------|
|          | 公稱<br>外徑 | 導程    |        |        |        |       |                       |                  |                   | D     | L   | F   | T   | BCD-E | X    | Y    | Z    |          |
| 50-10B2  | 50       | 10    | 6.350  | 51.4   | 44.91  | 2.5x2 | 173                   | 5923             | 17670             | 94    | 194 | 135 | 18  | 114   | 11   | 17.5 | 11   | 30       |
| 50-10B3  |          |       |        | 51.4   | 44.91  | 2.5x3 | 255                   | 8394             | 26505             | 94    | 254 | 135 | 18  | 114   | 11   | 17.5 | 11   | 30       |
| 50-10C1  |          |       |        | 51.4   | 44.91  | 3.5x1 | 120                   | 4393             | 12481             | 94    | 154 | 135 | 18  | 114   | 11   | 17.5 | 11   | 30       |
| 50-12B1  |          |       |        | 51.8   | 43.688 | 2.5x1 | 90                    | 4367             | 10918             | 100   | 159 | 146 | 22  | 122   | 14   | 20   | 13   | 40       |
| 50-12B2  |          | 51.8  | 43.688 | 2.5x2  | 178    | 8022  | 22094                 | 102              | 232               | 150   | 22  | 125 | 13  | 20    | 13   | 40   |      |          |
| 50-12C1  |          | 51.8  | 43.688 | 3.5x1  | 123    | 5875  | 15380                 | 102              | 184               | 150   | 22  | 125 | 13  | 20    | 13   | 40   |      |          |
| 50-16B2  |          | 51.8  | 43.688 | 2.5x2  | 174    | 7918  | 21837                 | 100              | 280               | 146   | 22  | 122 | 14  | 20    | 13   | 40   |      |          |
| 50-20B1  |          | 51.8  | 43.688 | 2.5x1  | 90     | 4367  | 10918                 | 100              | 227               | 146   | 28  | 122 | 14  | 20    | 13   | 40   |      |          |
| 55-10C1  | 55       | 10    | 6.350  | 56.4   | 49.91  | 3.5x1 | 132                   | 4562             | 13661             | 100   | 154 | 140 | 18  | 118   | 11   | 17.5 | 11   | 40       |
| 55-12B2  |          | 12    | 7.938  | 56.8   | 48.688 | 2.5x2 | 185                   | 8392             | 24390             | 105   | 232 | 154 | 22  | 127   | 13   | 20   | 13   | 40       |
| 63-8A2   | 63       | 8     | 4.763  | 64     | 59.132 | 1.5x2 | 107                   | 2826             | 10129             | 104   | 142 | 146 | 18  | 124   | 11   | 17.5 | 11   | 40       |
| 63-8A3   |          |       |        | 64     | 59.132 | 1.5x3 | 154                   | 4004             | 15193             | 104   | 174 | 146 | 18  | 124   | 11   | 17.5 | 11   | 40       |
| 63-10B2  |          | 10    | 6.350  | 64.4   | 57.91  | 2.5x2 | 206                   | 6533             | 22371             | 110   | 196 | 152 | 20  | 130   | 11   | 17.5 | 11   | 30       |
| 63-10B3  |          | 64.4  | 57.91  | 2.5x3  | 305    | 9258  | 33556                 | 110              | 256               | 152   | 20  | 130 | 11  | 17.5  | 11   | 30   |      |          |
| 63-12B2  |          | 12    | 7.938  | 64.8   | 56.688 | 2.5x2 | 214                   | 8943             | 28062             | 118   | 232 | 166 | 22  | 141   | 13   | 20   | 13   | 40       |
| 63-16B2  |          | 16    | 9.525  | 65.2   | 55.466 | 2.5x2 | 280                   | 14862            | 46009             | 124   | 296 | 172 | 22  | 147   | 13   | 20   | 13   | 40       |
| 63-20B2  |          | 20    | 9.525  | 65.2   | 55.466 | 2.5x2 | 280                   | 14862            | 46009             | 124   | 334 | 172 | 22  | 147   | 13   | 20   | 13   | 40       |
| 70-10B2  |          | 70    | 10     | 6.350  | 71.4   | 64.91 | 2.5x2                 | 228              | 6843              | 25011 | 124 | 196 | 170 | 20    | 145  | 13   | 20   | 13       |
| 70-10B3  | 71.4     |       |        |        | 64.91  | 2.5x3 | 334                   | 9698             | 37516             | 124   | 256 | 170 | 20  | 145   | 13   | 20   | 13   | 40       |
| 70-12B2  | 12       |       | 7.938  | 71.8   | 63.688 | 2.5x2 | 236                   | 9382             | 31275             | 130   | 232 | 178 | 22  | 152   | 13   | 20   | 13   | 40       |
| 70-12B3  | 71.8     |       | 63.688 | 2.5x3  | 336    | 13296 | 46912                 | 130              | 302               | 178   | 22  | 152 | 13  | 20    | 13   | 40   |      |          |
| 70-20B2  | 20       | 9.525 | 72.2   | 62.466 | 2.5x2  | 300   | 15644                 | 51502            | 130               | 325   | 186 | 28  | 158 | 18    | 26   | 17.5 | 60   |          |
| 80-10B2  | 80       | 10    | 6.350  | 81.4   | 74.91  | 2.5x2 | 251                   | 7202             | 28538             | 130   | 200 | 178 | 22  | 152   | 13   | 20   | 13   | 40       |
| 80-10B3  |          |       |        | 81.4   | 74.91  | 2.5x3 | 368                   | 10207            | 42807             | 130   | 260 | 178 | 22  | 152   | 13   | 20   | 13   | 40       |
| 80-12B2  |          | 12    | 7.938  | 81.8   | 73.688 | 2.5x2 | 257                   | 9797             | 35422             | 136   | 232 | 185 | 22  | 159   | 13   | 20   | 13   | 40       |
| 80-12B3  |          | 81.8  | 73.688 | 2.5x3  | 380    | 13884 | 53132                 | 136              | 302               | 185   | 22  | 159 | 13  | 20    | 13   | 40   |      |          |
| 80-16B2  |          | 16    | 9.525  | 82.2   | 72.466 | 2.5x2 | 340                   | 16485            | 58851             | 145   | 302 | 210 | 28  | 174   | 18   | 26   | 17.5 | 50       |
| 80-16B3  |          | 82.2  | 72.466 | 2.5x3  | 498    | 23363 | 88276                 | 145              | 398               | 210   | 28  | 174 | 18  | 26    | 17.5 | 50   |      |          |
| 80-20B2  |          | 20    | 9.525  | 82.2   | 72.466 | 2.5x2 | 338                   | 16485            | 58851             | 145   | 345 | 210 | 28  | 174   | 18   | 26   | 17.5 | 50       |
| 80-20B3  |          | 82.2  | 72.466 | 2.5x3  | 498    | 23363 | 88276                 | 145              | 470               | 210   | 28  | 174 | 18  | 26    | 17.5 | 50   |      |          |
| 100-12B2 | 100      | 12    | 7.938  | 101.8  | 93.688 | 2.5x2 | 301                   | 10761            | 44596             | 160   | 240 | 224 | 28  | 188   | 18   | 26   | 17.5 | 50       |
| 100-12B3 |          |       |        | 101.8  | 93.688 | 2.5x3 | 452                   | 15251            | 66894             | 160   | 312 | 224 | 28  | 188   | 18   | 26   | 17.5 | 50       |
| 100-16B2 |          | 16    | 9.525  | 102.2  | 92.466 | 2.5x2 | 400                   | 18123            | 74425             | 170   | 308 | 248 | 32  | 205   | 22   | 32   | 21.5 | 60       |
| 100-16B3 |          | 102.2 | 92.466 | 2.5x3  | 595    | 25684 | 111637                | 170              | 404               | 248   | 32  | 205 | 22  | 32    | 21.5 | 60   |      |          |
| 100-20B2 |          | 20    | 9.525  | 102.2  | 92.466 | 2.5x2 | 400                   | 18123            | 74425             | 170   | 350 | 248 | 32  | 205   | 22   | 32   | 21.5 | 60       |
| 100-20B3 |          | 102.2 | 92.466 | 2.5x3  | 595    | 25684 | 111637                | 170              | 475               | 248   | 32  | 205 | 22  | 32    | 21.5 | 60   |      |          |

註：表列剛性值，在預壓力為10%動負荷之條件下計算。