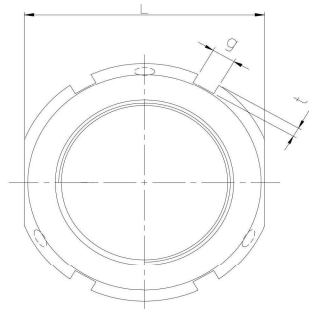
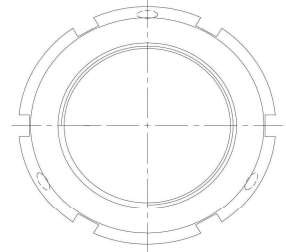
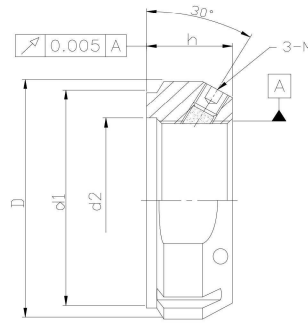


# SFZ SERIES - 30° LOCKING

Material-SCM440  
Precision-ISO 4H



SFZ10-SFZ75



SFZ80-SFZ200

TYPE & Pitch	Dimensions									Screw Torque	
	D	h	g	t	d1	d2	L	Axial Load Static KN	Loosening Torque kg-cm	DIN	Max kg-cm
SFZ10X0.75P	28	14	4	2	23	11	24	35	150	M5	48
SFZ12X1.0P	30				25	13	27	40	180		
SFZ15X1.0P	33				16	28	16	30	60		
SFZ17X1.0P	37	18	5	2	33	18	34	80	250	M6	80
SFZ20X1.0P	40				35	21	36	90	350		
SFZ25X1.5P	44	20	6	2.5	39	26	41	130	450	M6	80
SFZ30X1.5P	49				44	32	46	160	550		
SFZ35X1.5P	54	22	7	3	49	38	50	190	650	M8	190
SFZ40X1.5P	65				59	42	60	210	800		
SFZ45X1.5P	70	25	8	3.5	64	48	65	240	950	M8	190
SFZ50X1.5P	75				68	52	70	300	1150		
SFZ55X2.0P	85	26	10	4	78	58	80	340	2250	M8	190
SFZ60X2.0P	90				82	62	85	380	2450		
SFZ65X2.0P	95	28	11	4	87	68	90	460	2650	M8	190
SFZ70X2.0P	100				92	72	95	490	2850		
SFZ75X2.0P	105	32	12	5	97	77	100	520	3050	M8	190
SFZ80X2.0P	110				100	83	-	620	3250		
SFZ85X2.0P	120	10	14	6	110	88	-	650	6600	M10	360
SFZ90X2.0P	125				115	93	-	680	7200		
SFZ95X2.0P	130	14	6	6	120	98	-	710	7800	M10	360
SFZ100X2.0P	135				125	103	-	740	8400		
SFZ110X2.0P	145	16	7	7	134	112	-	800	9600	M10	360
SFZ120X2.0P	155				144	122	-	860	10800		
SFZ130X2.0P	165	18	8	8	154	132	-	920	12000	M10	360
SFZ140X2.0P	175				164	142	-	980	13200		
SFZ150X2.0P	185	14	6	6	174	152	-	1040	14400	M10	360
SFZ160X3.0P	195				184	162	-	1100	16000		
SFZ170X3.0P	205	16	7	7	194	172	-	1160	17500	M10	360
SFZ180X3.0P	215				204	182	-	1220	19000		
SFZ190X3.0P	225	18	8	8	214	192	-	1280	20500	M10	360
SFZ200X3.0P	235				224	202	-	1340	23000		