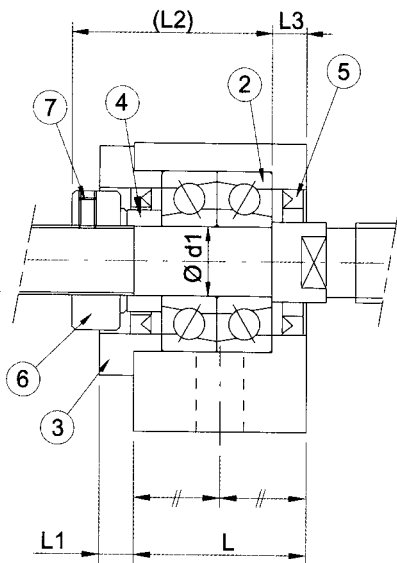
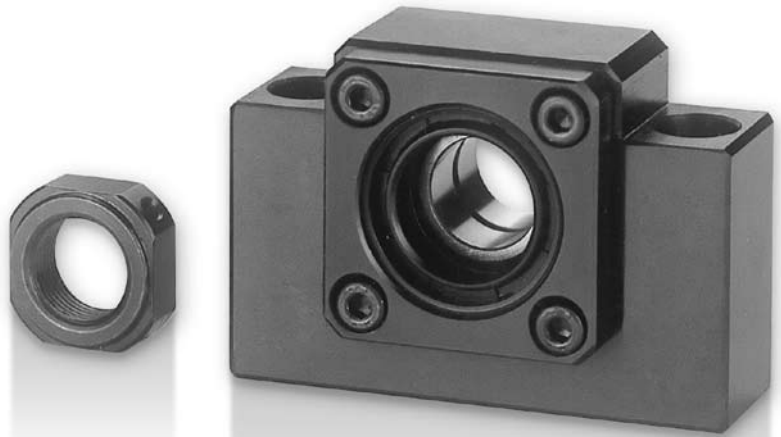


AK系列 (方形固定側)

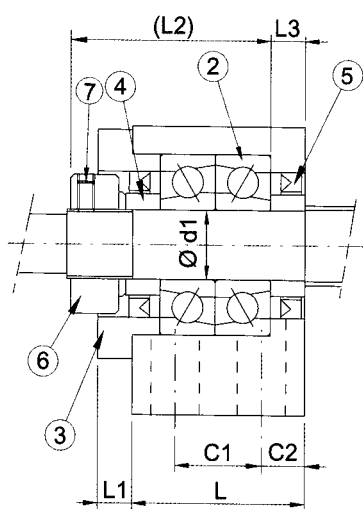
Support Unit AK
(fixed-side rectangular type)

AK

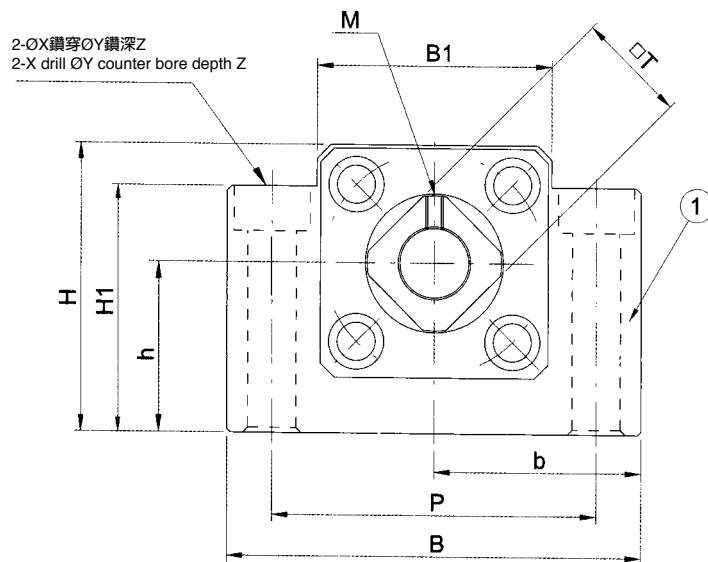


AK10 ~ AK15

編號/Part No.	部品名稱/Part name	數量/Qty
1	軸承座本體/Housing	1
2	軸承/Bearing	1組/1 set
3	壓板/Holding lid	1
4	套筒/Collar	2
5	油封/Seal	2
6	鎖固螺帽/Lock nut	1組/1 set
7	內六角止付螺絲附銅片 Hexagon socket-head Setscrew(with set piece)	2



AK20



AK10 ~ AK20

單位 / Unit : mm

型號 Model No.	軸徑 Shaft diameter d1	L	L1	L2	L3	B	H	b	h	B1	H1	P	X	Y	Z	M	T	E	C1	C2
								±0.02	±0.02											
AK10	10	24	6	31.5	6	70	43	35	25	36	35	52	9	14	11	M4	16	15	-	-
AK12	12	24	6	31.5	6	70	43	35	25	36	35	52	9	14	11	M4	19	15	-	-
AK15	15	25	6	36	5	80	50	40	30	41	40	60	11	17	15	M4	22	15	-	-
AK20	20	42	10	50	10	95	58	47.5	30	56	45	75	11	17	15	M4	30	15	22	10

接受表面特殊處理之訂製 Surface Special treatment is available.