

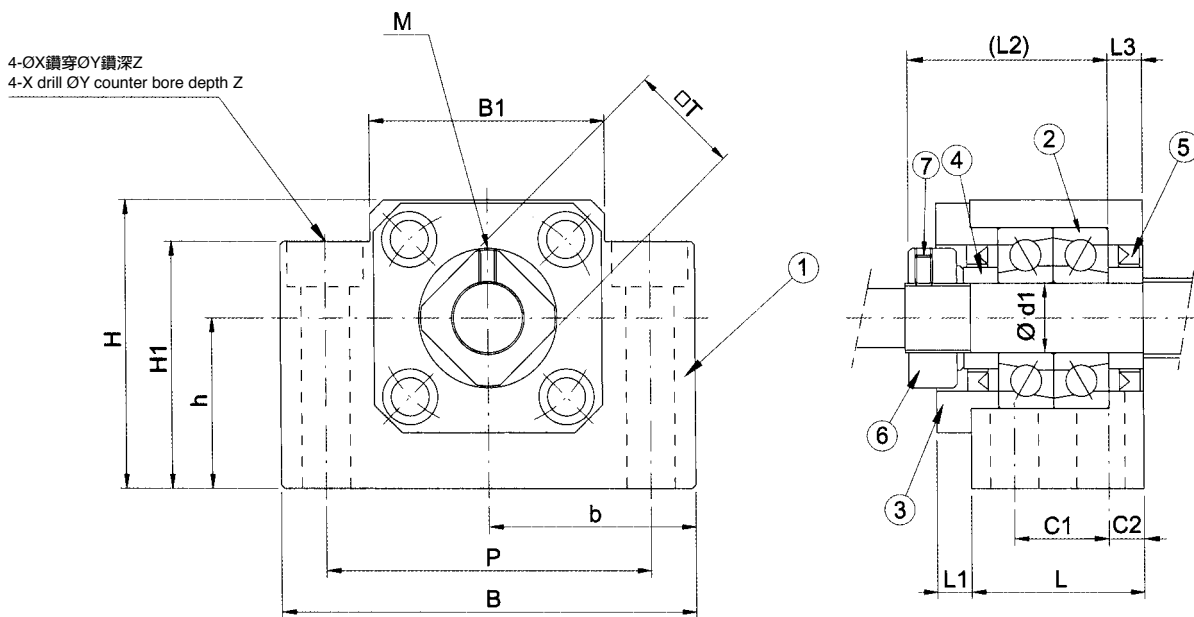
BK系列 (方形固定側)

Support Unit BK (fixed-side rectangular type)

編號/Part No.	部品名稱/Part name	數量/Qty
1	軸承座本體/Housing	1
2	軸承/Bearing	1組/1 set
3	壓板/Holding lid	1
4	套筒/Collar	2
5	油封/Seal	2
6	鎖固螺帽/Lock nut	1組/1 set
7	內六角止付螺絲附銅片 Hexagon socket-head Setscrew(with set piece)	2



BK



單位 / Unit : mm

型號 Model No.	軸徑 Shaft diameter d1	L	L1	L2	L3	B	H	b		h	B1	H1	P	C1	C2	X	Y	Z	M	T
								±0.02	±0.02											
BK10	10	25	5	31.5	5	60	39	30	22	34	32.5	46	13	6	6.6	11	5	M4	16	
BK12	12	25	5	31.5	5	60	43	30	25	35	32.5	46	13	6	6.6	11	6.5	M4	19	
BK15	15	27	6	34	6	70	48	35	28	40	38	54	15	6	6.6	11	6.5	M4	22	
BK17	17	35	9	44	7	86	64	43	39	50	55	68	19	8	9	14	8.5	M4	24	
BK20	20	35	8	43	8	88	60	44	34	52	50	70	19	8	9	14	8.5	M4	30	
BK25	25	42	12	54	9	106	80	53	48	64	70	85	22	10	11	17.5	11	M5	35	
BK30	30	45	14	61	9	128	89	64	51	76	78	102	23	11	14	20	13	M6	40	
BK35	35	50	14	67	12	140	96	70	52	88	79	114	26	12	14	20	13	M8	50	
BK40	40	61	18	76	15	160	110	80	60	100	90	130	33	14	18	26	17	M8	50	

接受表面特殊處理之訂製 Surface Special treatment is available.