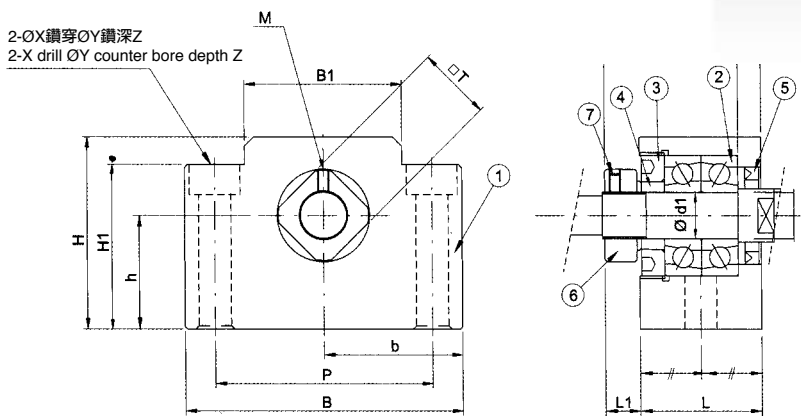
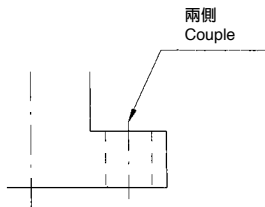
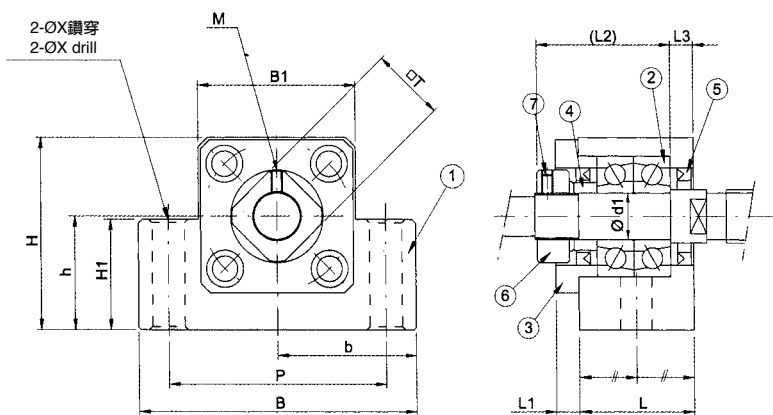


EK系列 (凸形固定側)

Support Unit EK
(fixed-side rectangular type)



EK10 ~ EK20



編號/Part No.	部品名稱/Part name	數量/Qty
1	軸承座本體/Housing	1
2	軸承/Bearing	1組/1 set
3	壓板/Holding lid	1
4	套筒/Collar	2
5	油封/Seal	1 (2)
6	鎖固螺帽/Lock nut	1
7	內六角止付螺絲附銅片 Hexagon socket-head Setscrew(with set piece)	2

單位 / Unit : mm

型號 Model No.	軸徑 Shaft diameter d1	L	L1	L2	L3	B	H	b	h	B1	H1	P	X	Y	Z	M	T
								±0.02	±0.02								
EK08	8	23	7	26	4	52	32	26	17	25	26	38	6.6	11	12	M3	14
EK10	10	24	6	31.5	6	70	43	35	25	36	24	52	9	-	-	M4	16
EK12	12	24	6	31.5	6	70	43	35	25	36	24	52	9	-	-	M4	19
EK15	15	25	6	36	5	80	50	40	30	41	25	60	11	-	-	M4	22
EK20	20	42	10	50	10	95	58	47.5	30	56	25	75	11	-	-	M4	30

接受表面特殊處理之訂製 Surface Special treatment is available.