

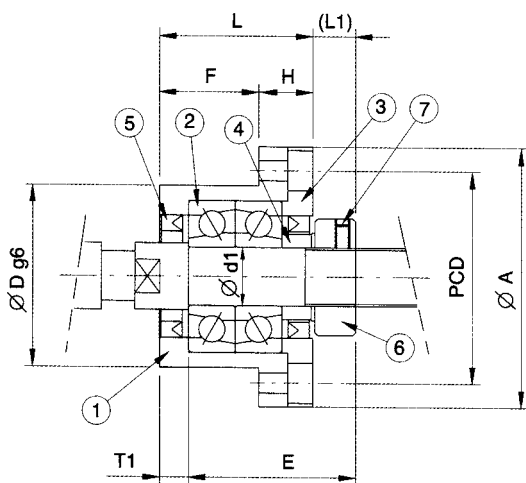
## FK系列 (法蘭形固定側)

### Support Unit FK (fixed-side rectangular type)

編號/Part No.	部品名稱/Part name	數量/Qty
1	軸承座本體/Housing	1
2	軸承/Bearing	1組/1 set
3	壓板/Holding lid	1
4	套筒/Collar	2
5	油封/Seal	2
6	鎖固螺帽/Lock nut	1組/1 set
7	內六角止付螺絲附銅片 Hexagon socket-head Setscrew(with set piece)	2

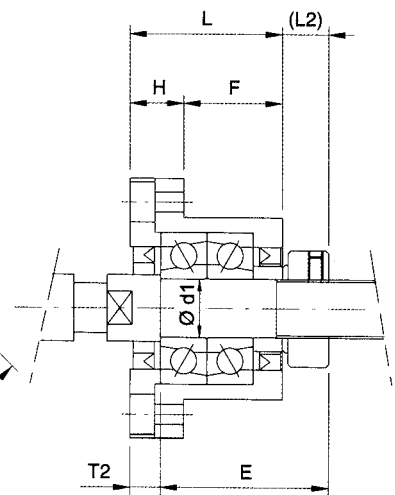
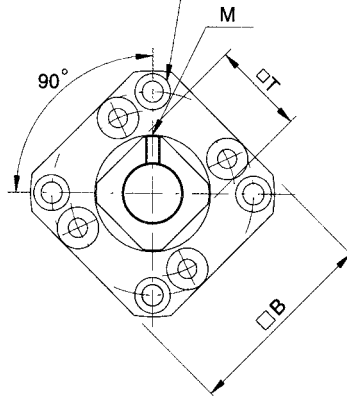


## FK10 ~ FK30



裝置方法A / Mounting method A

4-ØX鑽穿ØY鑽深Z  
4-X drill ØY counter bore depth Z



裝置方法B / Mounting method B

單位 / Unit : mm

型號 Model No.	軸徑 Shaft diameter d1	L	H	F	E	Dg6	A	PCD	B	裝置方法A Mounting method A		裝置方法B Mounting method B		X	Y	Z	M	T
										L1	T1	L2	T2					
FK10	10	27	10	17	29.5	34 -0.009 -0.025	52	42	42	7.5	5	8.5	6	4.5	8	4	M4	16
FK12	12	27	10	17	29.5	36 -0.009 -0.025	54	44	44	7.5	5	8.5	6	4.5	8	4	M4	19
FK15	15	32	15	17	36	40 -0.009 -0.025	63	50	52	10	6	12	8	5.5	9.5	6	M4	22
FK17	17	45	22	23	47	50 -0.009 -0.025	77	62	61	11	9	14	12	6.6	11	10	M4	24
FK20	20	52	22	30	50	57 -0.010 -0.029	85	70	68	8	10	12	14	6.6	11	10	M4	30
FK25	25	57	27	30	60	63 -0.010 -0.029	98	80	79	13	10	20	17	9	15	13	M5	35
FK30	30	62	30	32	61	75 -0.010 -0.029	117	95	93	11	12	17	18	11	17.5	15	M6	40

接受表面特殊處理之訂製 Surface Special treatment is available.