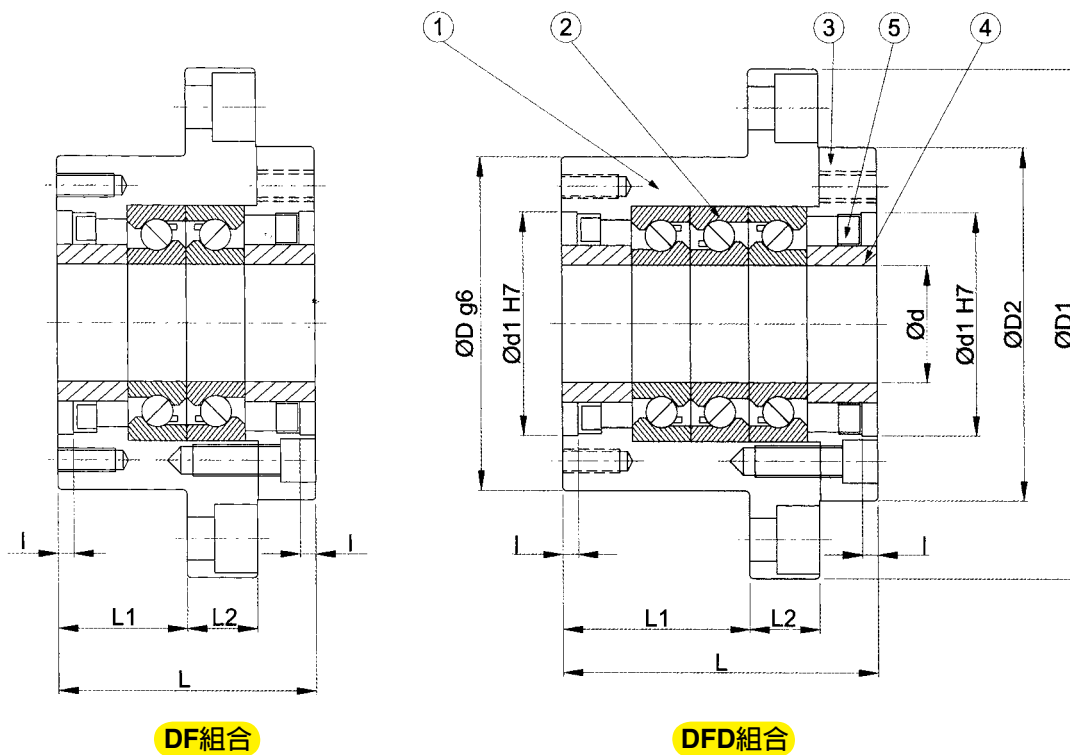


WBK-DF/DFD型高荷重支撐座 WBK-DF/DFD type support Unit (heavy-load)

編號/Part No.	部品名稱/Part name	數量/Qty
1	軸承座本體/Housing	1
2	軸承/Bearing	1組/1 set
3	壓板/Holding lid	1
4	套筒/Collar	2
5	油封/Seal	2

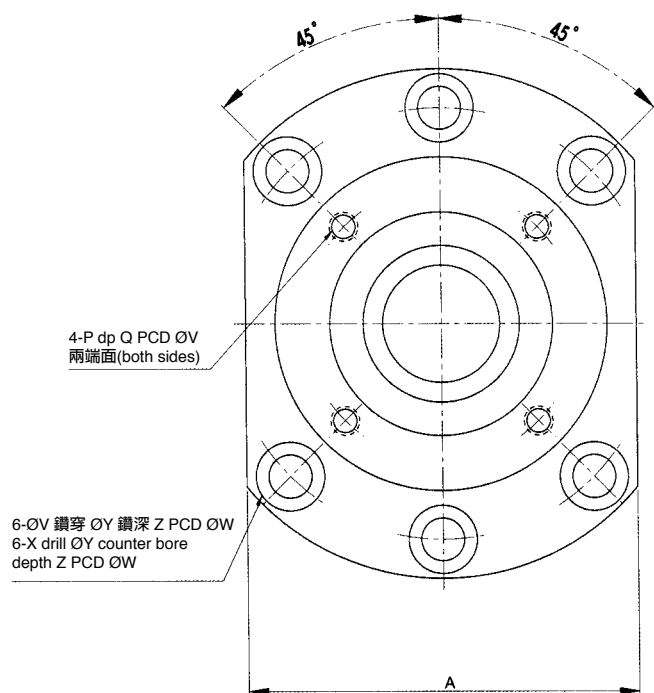


WBK-DF/DFD

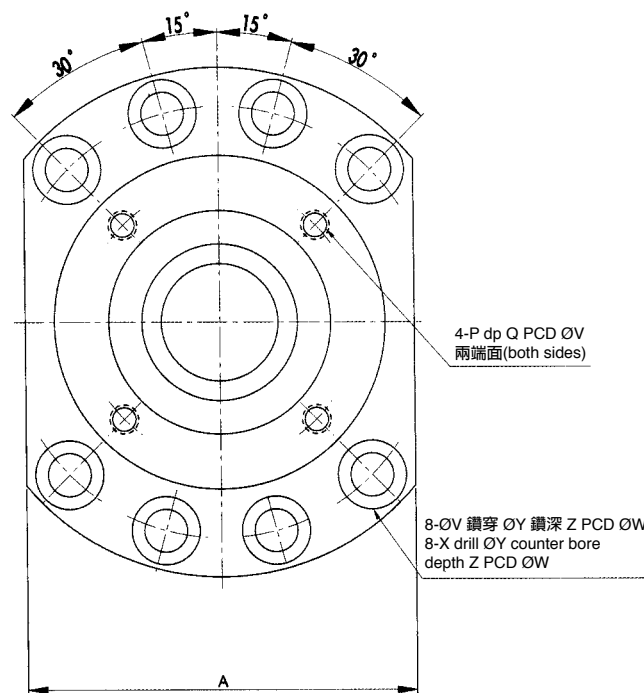


單位 / Unit : mm

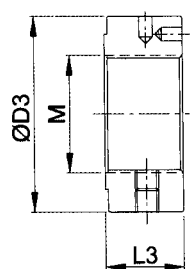
型號 Model No.	d	D	D1	D2	L	L1	L2	A	W	X	Y	Z	d1	l	V	P	Q
WBK 20DF	20	75	106	72	60	32	15	80	88	9	14	8.5	45	3	58	M5	10
WBK 25DF	25	85	130	90	66	33	18	100	110	11	17.5	11	57	4	70	M6	12
WBK 25DFD	25	85	130	90	81	48	18	100	110	11	17.5	11	57	4	70	M6	12
WBK 30DF	30	85	130	90	66	33	18	100	110	11	17.5	11	57	4	70	M6	12
WBK 30DFD	30	85	130	90	81	48	18	100	110	11	17.5	11	57	4	70	M6	12
WBK 35DF	35	95	142	102	66	33	18	106	121	11	17.5	11	69	4	80	M6	12
WBK 35DFD	35	95	142	102	81	48	18	106	121	11	17.5	11	69	4	80	M6	12
WBK 40DF	40	95	142	102	66	33	18	106	121	11	17.5	11	69	4	80	M6	12
WBK 40DFD	40	95	142	102	81	48	18	106	121	11	17.5	11	69	4	80	M6	12



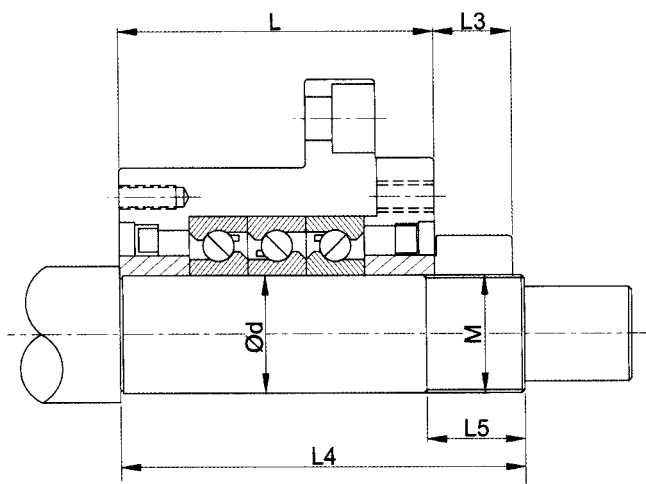
軸徑 $\text{Ø}d \leq 30$
Shaft diameter $\text{Ø}d \leq 30$



軸徑 $\text{Ø}d \leq 35$
Shaft diameter $\text{Ø}d \leq 35$



鎖固螺帽
Lock nut



軸端尺寸
Dimensions of shaft end

單位 / Unit : mm

型號 Model No.	基本動定格荷重 Basic dynamic load rating Calc(kgf)	界限荷重 Permissible axial load (N)	預壓荷重 Preload (N)	軸方向剛性 Axial rigidity (N/um)	起動力距 Starting torque (N-cm)	鎖固螺帽 Lock nut			重量 Weight Kgs	軸端尺寸 Dimensions of shaft end		
						M	D3	L3		d	L4	L5
WBK 20DF	21900	26600	2150	750	14.0	M20x1	40	18	1.9	20	81	23
WBK 25DF	28500	40500	3150	1000	23.0	M25x1.5	45	20	3.1	25	89	26
WBK 25DFD	46500	81500	4300	1470	31.0	M25x1.5	45	20	3.4	25	104	26
WBK 30DF	29200	43000	3350	1030	24.0	M30x1.5	50	20	3.0	30	89	26
WBK 30DFD	47500	86000	4500	1520	33.0	M30x1.5	50	20	3.3	30	104	26
WBK 35DF	31000	50000	3800	1180	28.0	M35x1.5	55	22	3.4	35	92	30
WBK 35DFD	50500	100000	5200	1710	37.0	M35x1.5	55	22	4.3	35	107	30
WBK 40DF	31500	52000	3900	1230	28.0	M40x1.5	60	22	3.6	40	92	30
WBK 40DFD	51500	104000	5300	1810	38.0	M40x1.5	60	22	4.2	40	107	30